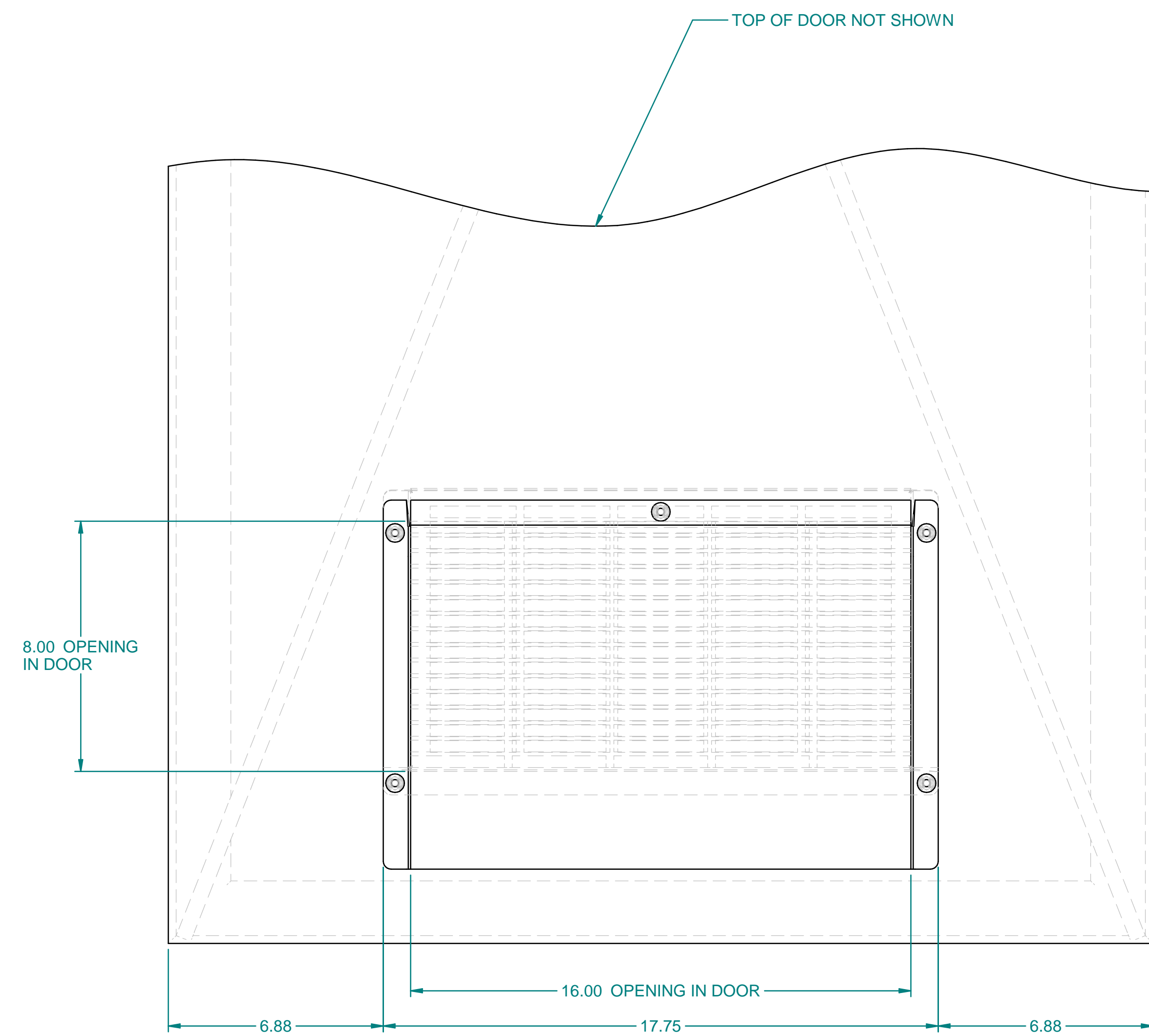
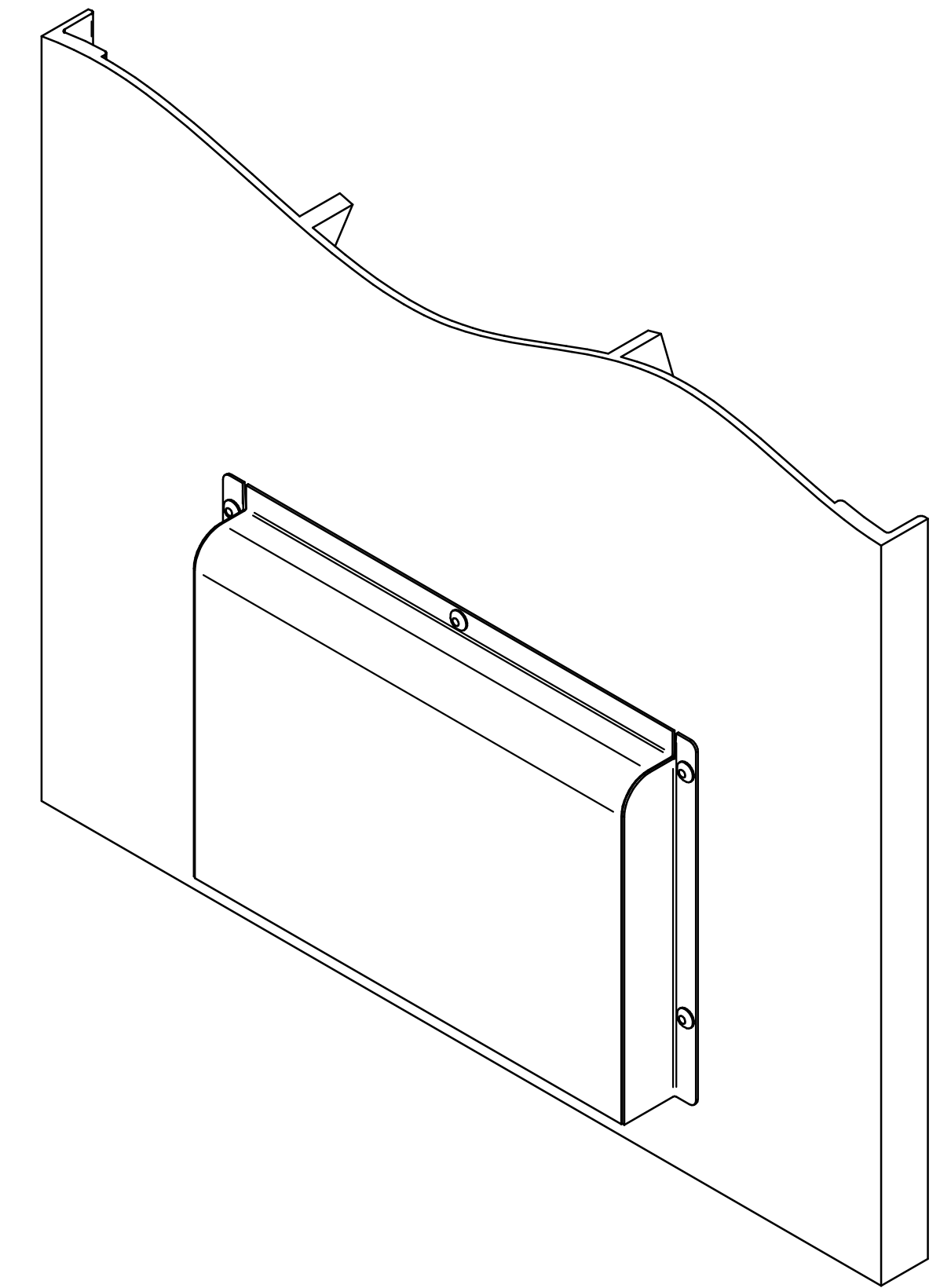
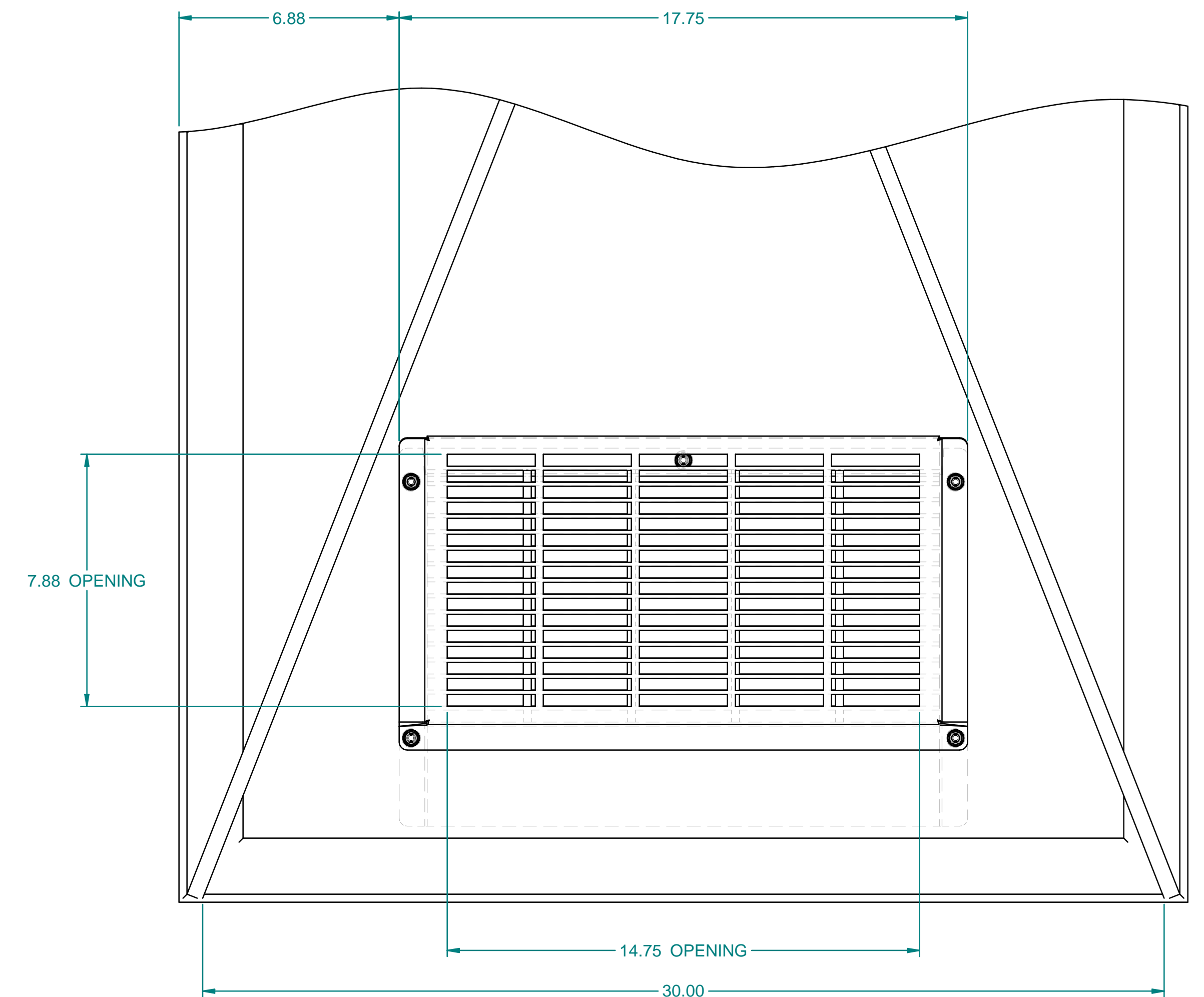
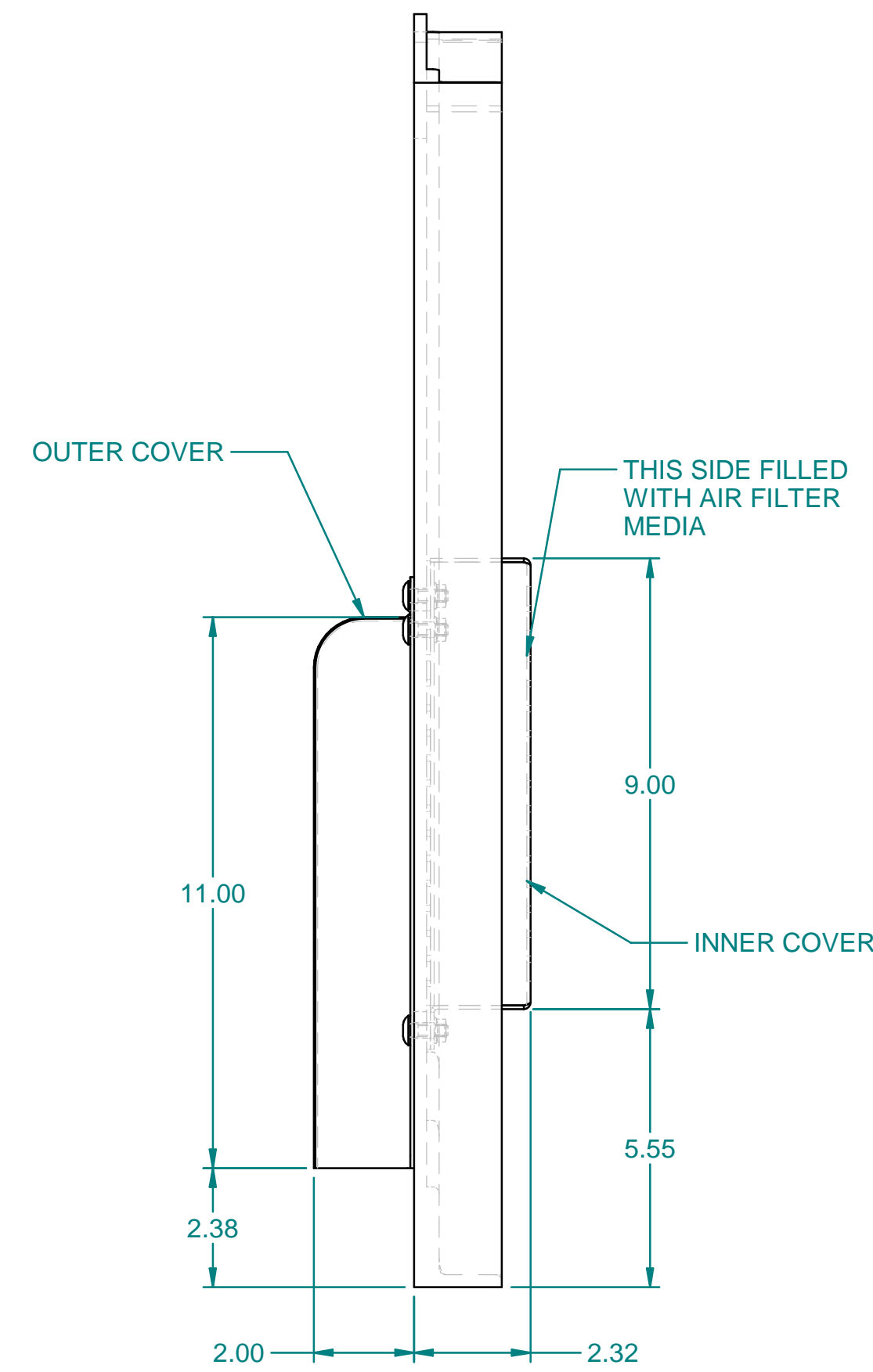


CRISP POINT LIGHT HISTORICAL SOCIETY.  
TOWER ENTRANCE BUILDING VENT ADDITION.

ALL MATERIAL 14 GA. STAINLESS STEEL.  
ALL ITEMS PAINTED TO MATCH EXISTING DOOR.  
ALL DIMENSIONS APPROXIMATE.



OUTSIDE VIEW OF DOOR



INSIDE VIEW OF DOOR